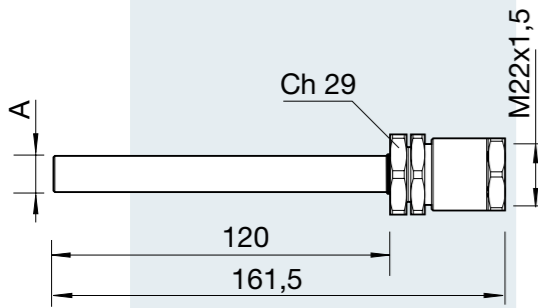




NIST CONNECTORS (NIST)

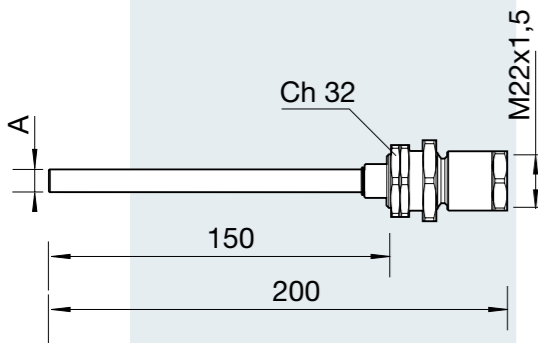
Range of male and female components intended to maintain gas-specificity by allocation of a set of different diameters and screw thread to mating components to each gas. These connectors are suitable for medical gases when the pressure range is 300 kPa - 1400 kPa and for vacuum when the pressure range is 10 kPa - 100 kPa. These components are designed in accordance with the standard EN 15908

Materials:
Brass EN 12164 - CuZn39Pb3 nickel plated
EPDM-PEROX
AISI



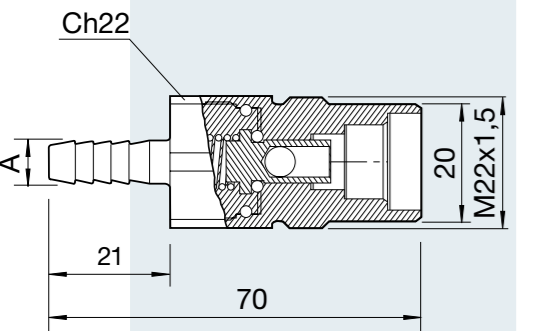
1st fix Nist connector c/w copper pipe welded		
P/N	A	GAS
VGTN-PL-O-T1/2	1/2"	OXYGEN
VGTN-PL-A4-T1/2	1/2"	AIR
VGTN-PL-V-T1/2	1/2"	VACUUM
VGTN-PL-P-T1/2	1/2"	NITROUS OXIDE
VGTN-PL-C-T1/2	1/2"	CARBON DIOXIDE
VGTN-PL-A8-T1/2	1/2"	AIR-800

PL = free flow.



1st fix Nist connector c/w check valve and copper pipe welded		
P/N	A	GAS
VGTN-O-T10	10	OXYGEN
VGTN-A4-T10	10	AIR
VGTN-V-T12	12	VACUUM
VGTN-P-T10	10	NITROUS OXIDE
VGTN-C-T10	10	CARBON DIOXIDE
VGTN-A8-T10	10	AIR-800
VGTN-AGSS-T15*	15	SDEGA

*No check valve.



1st fix Nist connector c/w hosetail & check valve		
P/N	A	GAS
VGTN-O-PG6	6	OXYGEN
VGTN-A4-PG6	6	AIR
VGTN-V-PG8	8	VACUUM
VGTN-P-PG6	6	NITROUS OXIDE
VGTN-C-PG6	6	CARBON DIOXIDE
VGTN-A8-PG6	6	AIR-800

1st fix Nist connector c/w hosetail		
P/N	A	GAS
VGTN-PL-O-PG6	6	OXYGEN
VGTN-PL-A4-PG6	6	AIR
VGTN-PL-V-PG8	8	VACUUM
VGTN-PL-P-PG6	6	NITROUS OXIDE
VGTN-PL-A8-PG6	6	AIR-800
VGTN-PL-C-PG6	6	CARBON DIOXIDE

PL = free flow.

NIST straight barb end probe		
P/N	A	GAS
IGTN-PG6-O	6	OXYGEN
IGTN-PG8-V	8	VACUUM
IGTN-PG6-A4	6	AIR
IGTN-PG6-P	6	NITROUS OXIDE
IGTN-PG6-C	6	CARBON DIOXIDE
IGTN-PG6-A8	6	AIR-800
IGTN-PG6-OA	6	AIR/OXYGEN

1st fix Nist connector c/w M1/4" thread		
P/N	A	GAS
VGTN-O-M1/4	1/4"	OXYGEN
VGTN-V-M1/4*	1/4"	VACUUM
VGTN-A4-1/4	1/4"	AIR

* Free flow.

